

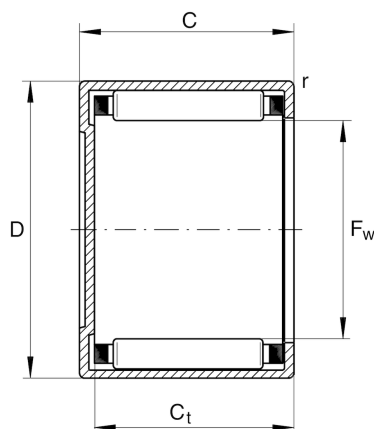
## BK1616-A

Drawn cup needle roller bearing closed end

Schaeffler ID:  
0001770160000

Drawn cup needle roller bearings with  
closed end BK, to DIN 618/ISO 3245

### Technical information



#### Main Dimensions & Performance Data

$F_w$	16 mm	Under roller diameter
$D$	22 mm	Outside diameter
$C$	16 mm	Width, outer ring
$C_r$	10,900 N	Basic dynamic load rating, radial
$C_{0r}$	15,300 N	Basic static load rating, radial
$C_{ur}$	1,940 N	Fatigue load limit, radial
$n_G$	15,600 1/min	Limiting speed
$n_{G \text{ Grease}}$	9,300 1/min	Limiting speed for grease lubrication
$n_{gr}$	11,600 1/min	Reference speed
	17.215 g	Weight

#### Additional information

$r_{\min}$	0.8 mm	Minimum chamfer dimension
	SD16X22X3	Sealing ring
$C_{t \min}$	13.3 mm	Minimum width to base of drawn cup with closed end
	G16X22X3	Sealing ring 2
	IR12X16X16-XL	Suitable inner rings IR

#### Temperature range

$T_{\min}$	-30 °C	Operating temperature min.
$T_{\max}$	140 °C	Operating temperature max.